

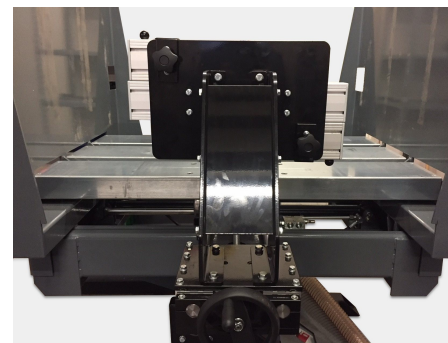
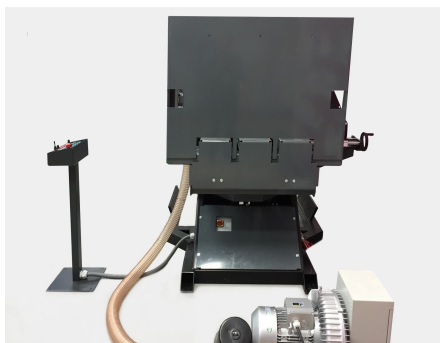


SAMZON pile turners are designed so that platforms can close down to 320mm; this allows short runs to be turned without the use of additional pallets. SAMZON is designed and manufactured in Denmark. The machine has low maintenance requirements and is equipped with top quality components.

SAMZON pile turner uses hydraulics to move both platforms simultaneously. SAMZON has a self supporting frame which requires no foundation but should be fixed to the existing floor.

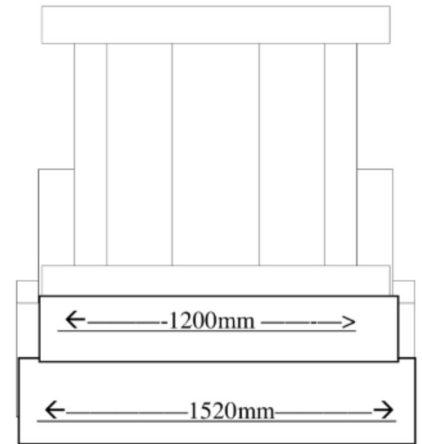
SAMZON is user friendly, reducing downtime and operator injury associated with incorrect and repetitive lifting. SAMZON is competitively priced and can be supplied as a fully equipped machine: SAMZON 104 LVA - With aeration and vibration

Manufactured according to EC and fullfills directive 98/37/EC



Technical data:

- Lift Capacity: 1000 kg.
- Pile height, min.: 320mm. (Fixed side lay, Including pallet)
- Pile height, min.: 520mm. (Adjustable side lay, Including pallet)
- Pile height, max.: 1300 mm. (Including pallet)
- Paper size, min.: 450 mm x 320 mm.
- Paper size, max.: 1200 mm x 800 mm.
- Power supply: 400/220 volt 3 phase (various)
- Weight 104-LVA: 827 kg.
- Weight 104-LA: 788 kg.
- Variable vibration: LVA
- Variable speed aeration LVA: 4.8kW 60hz compressor, 3400 litre/min.
- Variable speed aeration LV: 4.0kW 50hz compressor, 2880 litre/min.
- Magnetic pivot release and built in safety.
- Manufactured according to EC and fullfils directive 98/37/EC



Option: Pressure control / Photocell / Variable air flow / Air volume (frequency)

